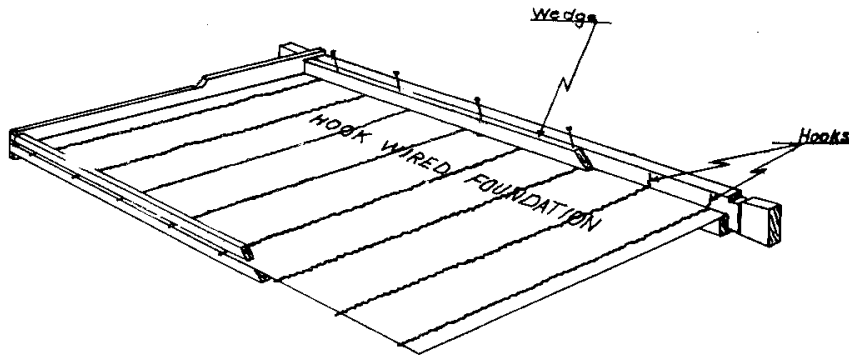




Directions for Inserting Wire Foundation



To Insert Foundation:

1. First remove the wedge from top bar with a sharp knife, or by gripping the top bar with your hand; be sure to remove the entire thin strip of wood that may remain once the wedge is removed.
2. Spread the divided bottom bar slightly apart and slide in the foundation. Slide the top edge of the foundation up snug against the top bar.

When using **wired foundation with hooks**, be sure to place the hooks up and against the shoulder in the top bar. Place the wedge in position in front of the hooks and nail straight down into the top bar using the 7/8" nails, (see illustration above).

When using **wired foundation without hooks**, the nails should be driven as close to the wires as possible.

We make long hooks on our wired foundation to better secure it, but in doing so, we cannot make a square bend on the hooks. Therefore you will need to press the sheet back to a vertical position. To better secure your combs, it is advisable to embed two cross wires in the 9-1/8" frames, the 6-1/4" frames, as well as the 5-3/8" frames. In the 9-1/8" frames insert the two wires in the end bars through the center holes.

We offer two foundation nailing devices that holds the frame, spreads the bottom bar, and makes insertion of your foundation and nailing the wedge must faster and easier! Item No. 59, for deep and shallow frames. Item No. 59-M for medium frames.